



WMic-T1
User Manual



Thank you for choosing SYNCO WMic-T1
Please read this manual carefully before use and follow all
instructions mentioned herein.

Contents

- Features Introduction.....1
- Caring For Your SYNCO WMic-T1 Microphone1
- Components Introduction.....2
- Package List.....3
- How to Install the Batteries.....4
- Indicator Light.....4
- Operation and Usage.....5
- Specification.....6

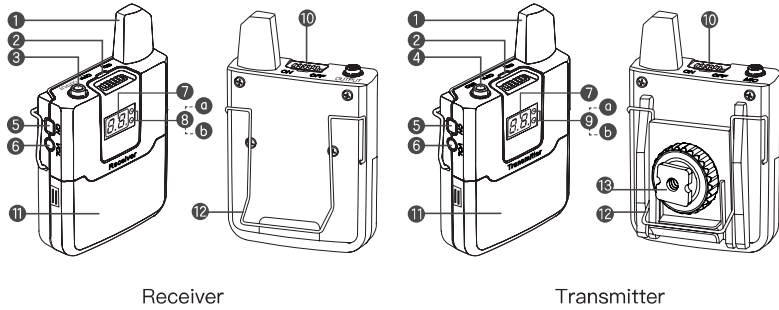
Features Introduction

- ① UHF wireless transmission, high-fidelity sound;
- ② Real-time noise reduction, ensuring a higher signal-to-noise ratio;
- ③ Compatible with smartphones, digital SLR cameras, camcorders, recorders, personal computers;
- ④ DSP(Digital signal processing) technology, minimizing noise in wireless transmission system;
- ⑤ 16 switchable channels for recording without environmental interference;
3-Pin XLR Connector
- ⑥ Adjustable volume;
- ⑦ Different status lights for real-time checking;
- ⑧ Both the receiver and transmitter are powered by two AA batteries.

Caring For Your SYNCO WMic-T1 Microphone

- ① Please keep the product in a dry, clean, dust-free environment.
- ② Keep corrosive chemicals, liquids and heat source away from the product to prevent mechanics damage.
- ③ Use only a soft and dry cloth for cleaning the product.
- ④ Malfunction may be caused by dropping, impact of external force.
- ⑤ Do not attempt to disassemble the product. Doing so voids warranty.
- ⑥ Please have the product checked or repaired by authorized technicians if any malfunctions happened.
- ⑦ Failure to follow all the instructions may result in mechanics damage.
- ⑧ Warranty does not apply to human errors.

Components Introduction



① Antenna	⑧ Receiving Status Light
② Battery Indicator	⑨ Transmitting Status Light
③ 3.5mm Audio Output Port	⑩ Power Button
④ 3.5mm Mic Input Port	⑪ Battery Cover
⑤ Channel Button	⑫ Belt Clip
⑥ Volume Button	⑬ Cold Shoe Adapter
⑦ Screen Display	

Package List



Transmitter *1



Receiver *1



Lavalier Mic *1



Cold Shoe Adapter *1



Storage Bag *1



3.5mm TRRS
Output Cable *1



User Manual *1

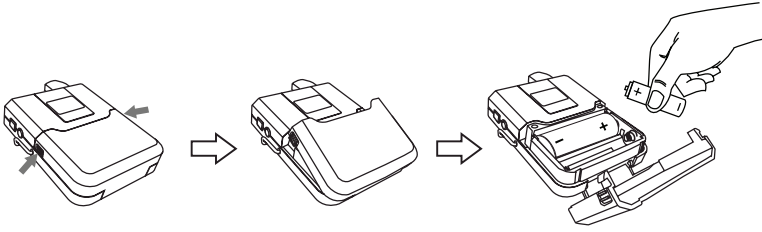


Belt Clip *2



3.5mm TRS
Output Cable *1

How to Install the Batteries?

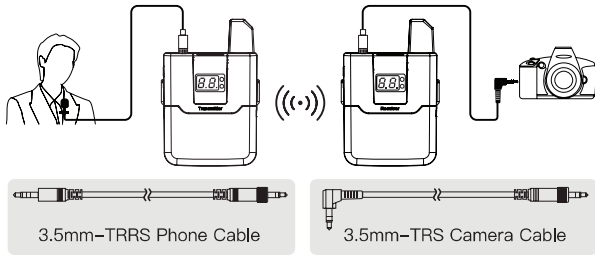


1. Battery Requirement: 2pcs * AA batteries
2. Press the two clips to open the receiver/transmitter battery cover
3. Insert two batteries according to the positive and negative electrode
4. Close the battery cover

Indicator Light

Audio	Red Light Keeps on	Normal Recording Status
	Red Light Flickers	Audio Distortion
IR/RF	Red Light Keeps on	Channel Matches
	Red Light Flickers	Channel Doesn't Match
	Green Light Flickers	Sound Input
Battery Indicator	Red Light Flickers	Low Battery Power

Operation and Usage



Transmitter	Receiver
<ol style="list-style-type: none"> 1. Insert the 3.5mm audio input cable into MIC socket of the transmitter 2. Push the power button to turn on the device, and the indicator light turns red. 3. Clip the transmitter on your belt or put it in the pocket. 	<ol style="list-style-type: none"> 1. Attach the cold shoe adapter to the receiver, and mount them on the camera/photographic equipment. 2. Plug one end of the 3.5mm audio cable into the receiver's "LINE OUT" socket and the other end into the camera's "MIC" interface. 3. Push the power button to turn on the device, and the battery light turns red.

- Long press "Channel" button, to change channel number.
- Press "Volume" button to adjust the sound volume.

Specification


Transmitter

Channel	16
Frequency Range	572MHz-586MHz
Oscillation Mode	PLL Frequency Synthesis
Working Distance	≥50m
SNR	>70dB
Transmit Power	13.5dBm
Carrier Frequency Error	0.005%
Harmonic Radiation	-32dBm
Modulation Mode	FSK
Maximum Frequency Deviation	± 65KHz
Dynamic Range	92 dB
Antenna	1/4 Wavelength Wire Antenna
Maximum Input Level	250mV
Input Impedance	2.2KΩ
Input Gain Adjustment	1-5 Levels Adjustable
Audio Output	3.5mm
Battery	AA 1.5V x 2, 120mA
Dimensions	96x60x18.8 (mm)
Net Weight	55g (without battery)
Working Temp.	0°C ~ +50°C
Storage Temp.	-20°C ~ 60°C

Receiver

Channel	16
Frequency Range	572MHz-586MHz
Oscillation Mode	PLL Frequency Synthesis
Receiving Mode	Superheterodyne
Working Distance	≥50m
SNR	>70dB
Dynamic Range	92 dB
Received Power	13.5dBm
Image Rejection	45dBm
Antenna	1/4 Wavelength Wire Antenna
Squelch Adjustment	Built-in Setting Parameters
RF Sensitivity	When inputting 10dBu, S/N ≥ 45dB
Output Gain Adjustment	1-5 Levels Adjustable
Frequency Setting	Manual IR Sync
Audio Output	3.5mm
Output Impedance	400Ω
Battery	AA 1.5V x 2
Dimensions	96x60x18.8 (mm)
Net Weight	55g (without battery)
Working Temp.	0°C ~ +50°C
Storage Temp.	-20°C ~ 60°C

Guangzhou Zhiying Technology Co., Ltd

 Block 15th, No.200 Fangcun Avenue East, Liwan District, Guangzhou,
China, 510000

 support@syncoaudio.com

 www.syncoaudio.com

 <https://www.facebook.com/syncomicrophones>