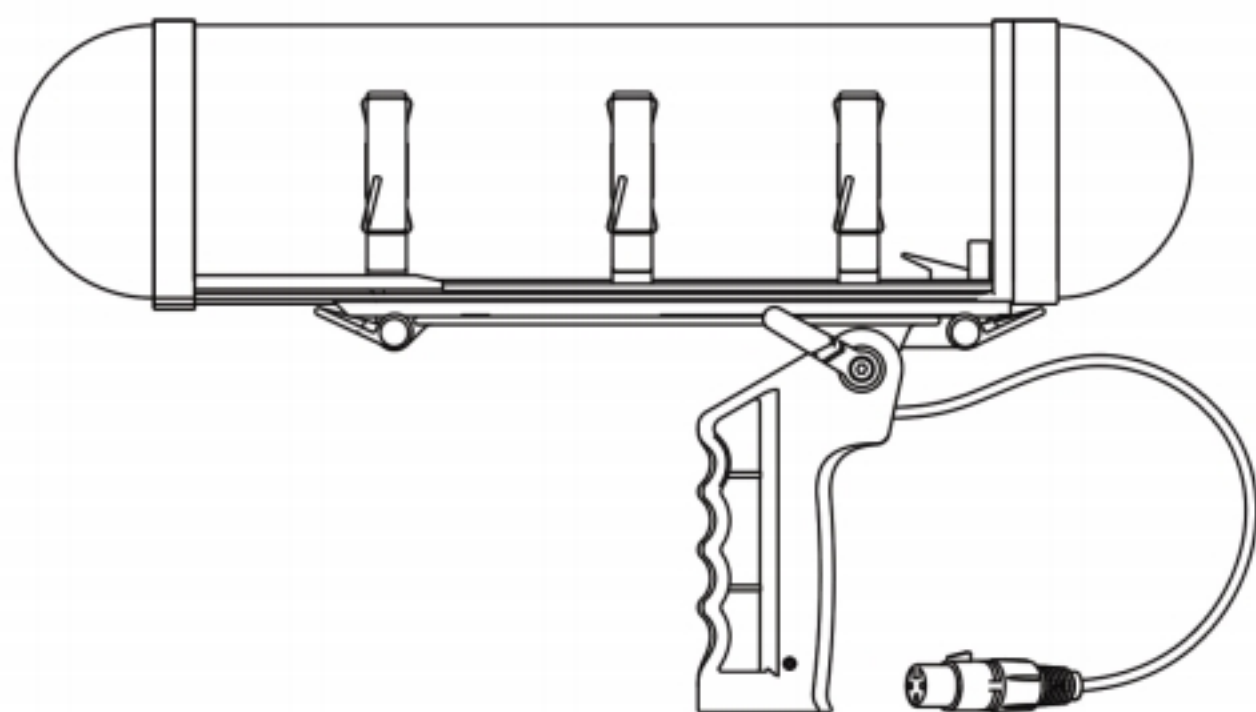


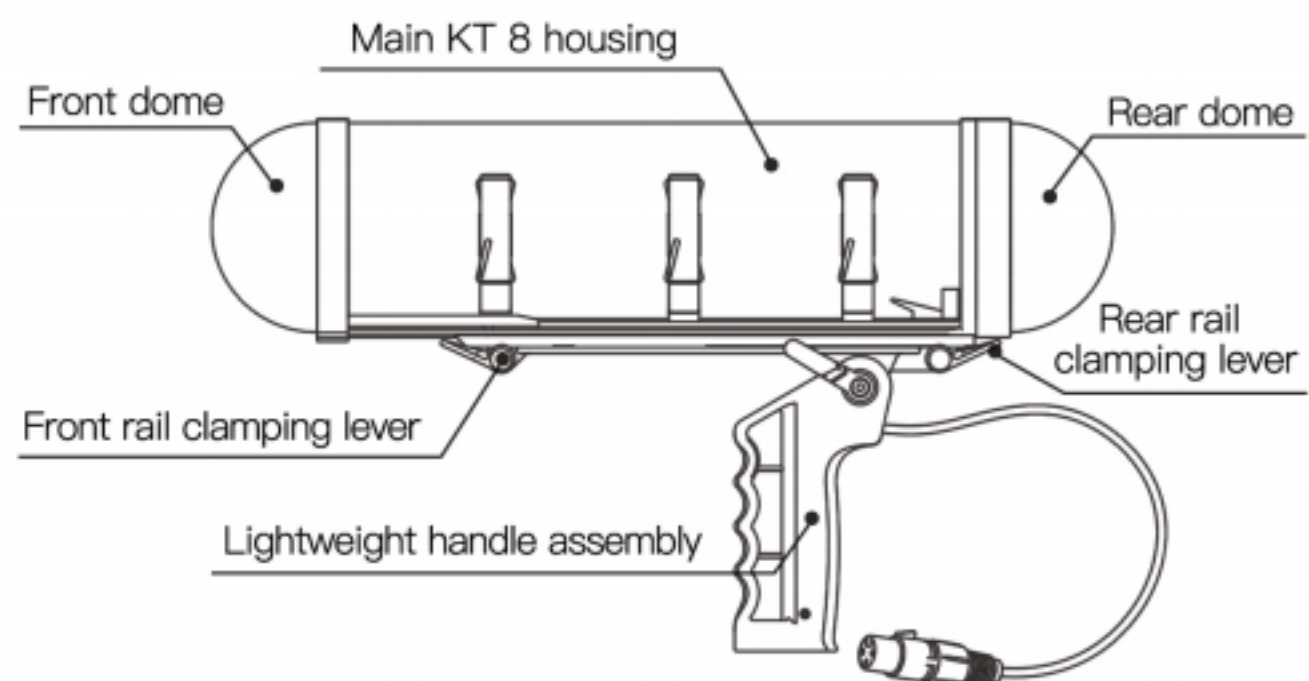


User Manual

KT 8 Windscreen Suspension System



Introduction



Package List



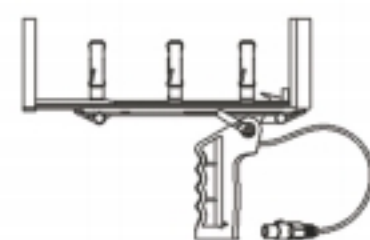
Basket Windscreen *1



Rubber Ring *6



Adapter *1



Shock Mount *1



Lyre Clip *3



Windjammer *1

Inserting Your Microphone

1. Unscrew and remove the rear dome.
2. Release the front and rear rail clamping levers.
3. Slide the suspension body out of the main KT 8 housing.
4. Gently install the microphone body into the lyre clips, making sure it is securely mounted.
5. Plug the XLR audio cable into the XLR socket of your microphone.
6. Slide the suspension body back into the main housing.
7. Tighten the front and rear rail clamping levers.
8. Screw the rear dome back into place.

Using The Windjammer

1. Insert the KT 8 head-first, taking care to align the seam on the windjammer with the rail on the underside of the KT 8.
2. Undo the buckles of the windjammer and carefully stretch the windjammer over the rear dome.
3. Straighten the windjammer, then tighten and lock the buckles.

Specifications

Weight without handle	255g
Weight with handle	495g
Dimensions(H*W*D)	255*425*110mm

Guangzhou Zhiying Technology Co., Ltd

Block 15th, No.200 Fangcun Avenue East, Liwan District, Guangzhou, China, 510000

Support@syncoaudio.com

www.syncoaudio.com

https://www.facebook.com/syncomicrophones

Thank you for choosing KT 8 Windscreen Suspension System. Please read this manual carefully before use and follow all instructions mentioned herein.